

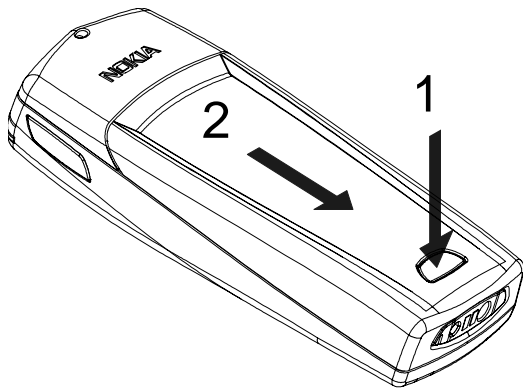
**CCS Technical Documentation  
NSM-9DX Series Transceivers**

# **Disassembly Instructions**

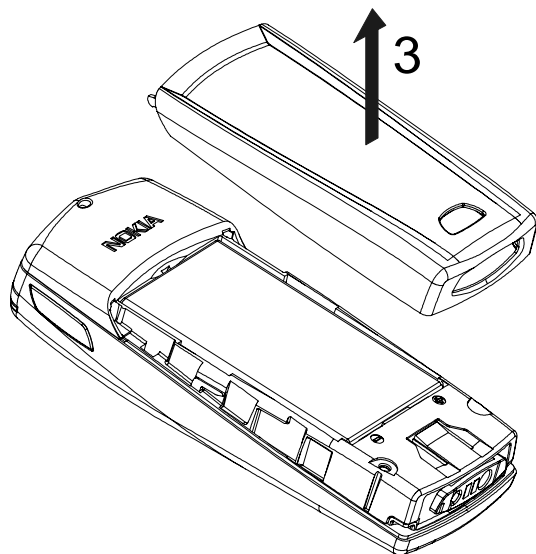
**Table of Contents**

	<b>Page No</b>
Disassembling the NSM-9NX Transceiver.....	3

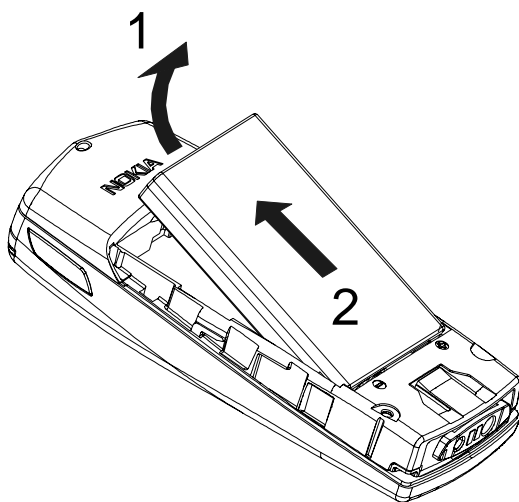
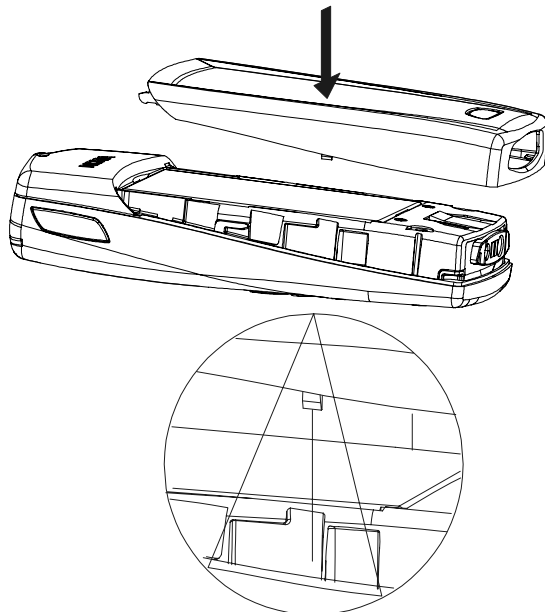
## Disassembling the NSM-9NX Transceiver



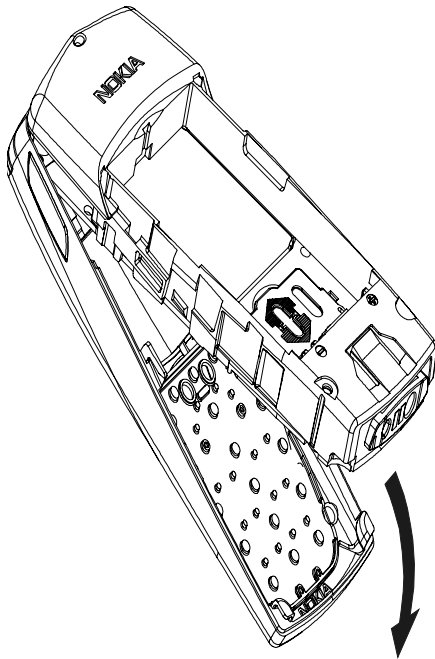
Remove Battery cover.



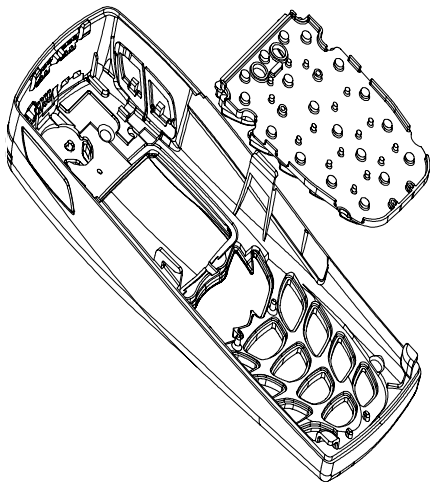
In assembly note!



Remove Battery.

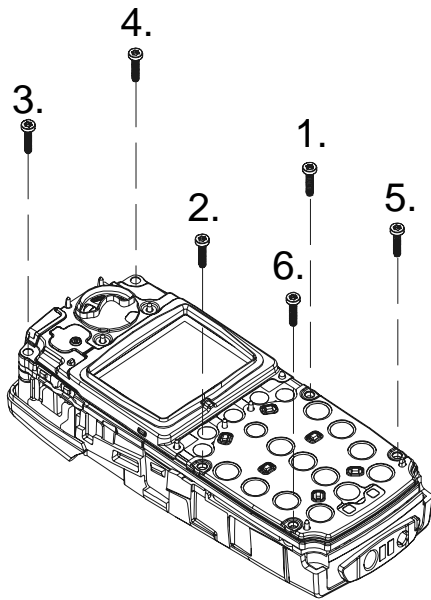


Remove A-cover.



Remove Keypad  
(only if it is necessary to re  
place keypad).

In assembly place A-cove  
pins (4 pieces) in respecti  
holes in the keypad.

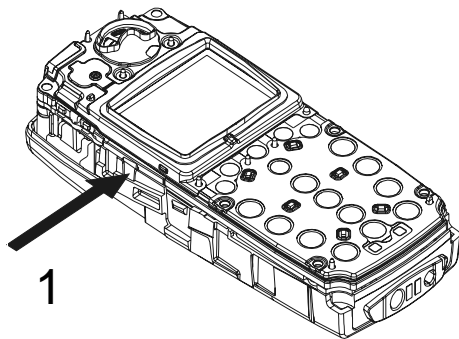


Remove the 6 screws.

Drive size is torx plus 6.  
Tightening torque is 17 Ncm, and 1100rpm.  
Fastening order in the picture  
in disassembly.  
In assembly check that PWB is not  
bent.

Note! Screws contain thread lock  
ing compound.

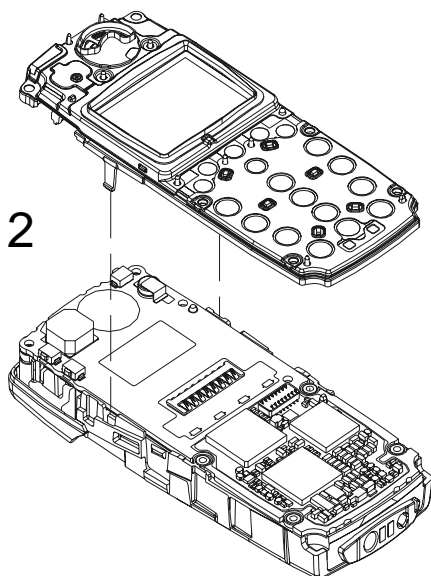
Note! Screws may be used a maximum of  
four times before having to be scrapped  
and not used again.



Remove UI module.

1. Use plastic tweezers or similar  
tool to gently press the UI module  
locking snap.

Note locking snaps when assem  
bling UI.

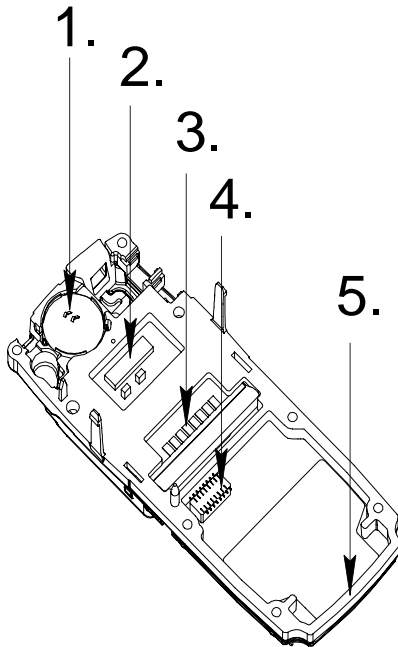


2. Carefully lift up the UI module.

UI handling precautions!

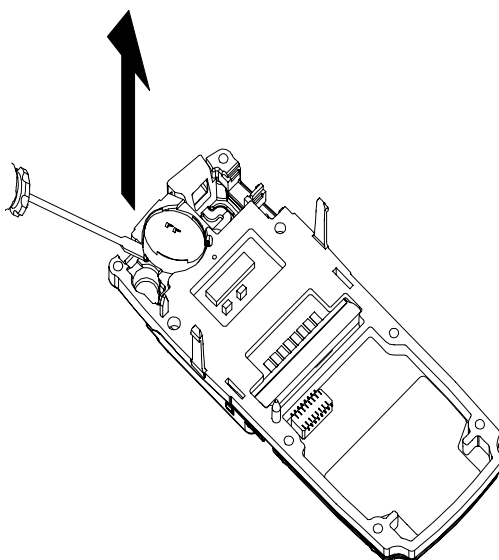
Do not damage the following  
items when handling the UI  
module:

1. Speaker spring contacts.
2. LCD driver.
3. LCD contact pads.
4. UI PWB contact pads.
5. UI frame metal coating.



### UI handling precautions!

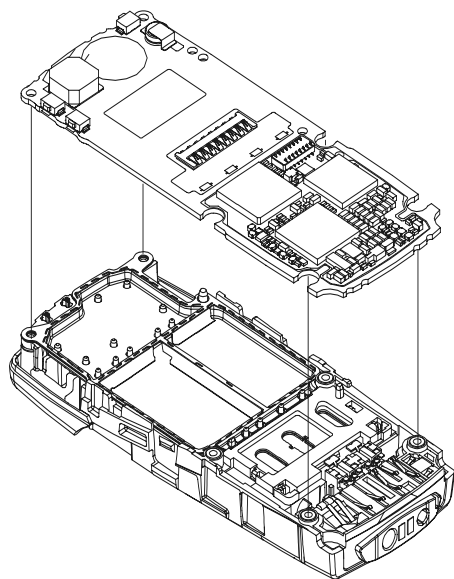
1. Speaker spring contacts
2. LCD driver.
3. LCD contact pads.
4. UI PWB contact pads.
5. UI frame metal coating.



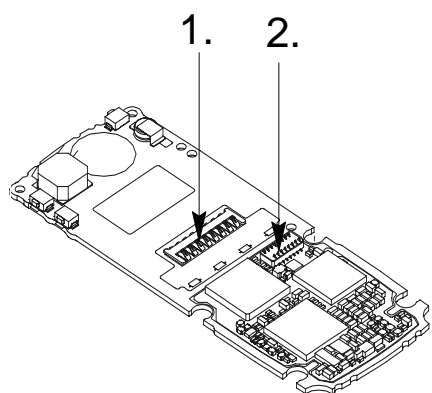
Remove speaker  
(only if it is necessary to re  
speaker).

Speaker can be lifted up u  
straight-bladed screwdrive  
shown in the picture.

Note! Do not touch speake  
springs or membrane.



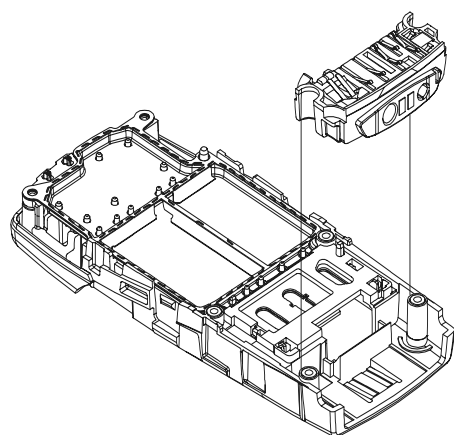
### Remove System Module



### System Module handling pre cautions!

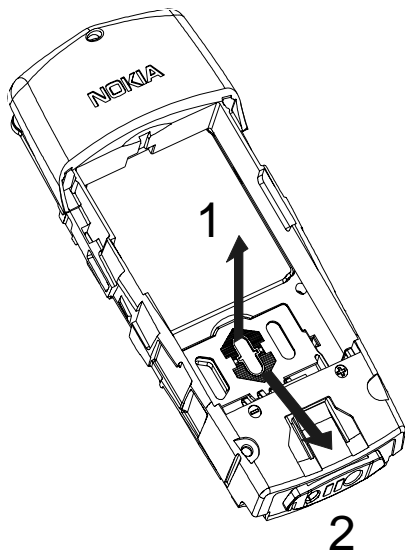
Do not touch the following spring contacts when handling the module:

1. LCD connector.
2. Board to board connector.



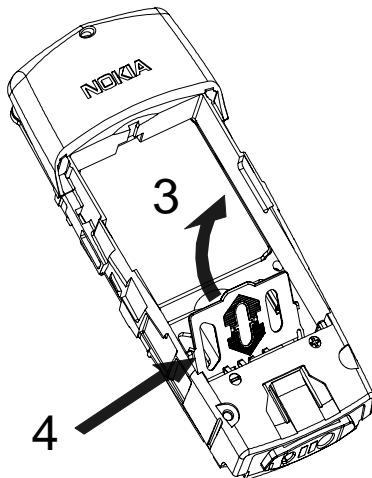
### Remove System connector

**Note!** Do not damage the spring contacts in the System connector.



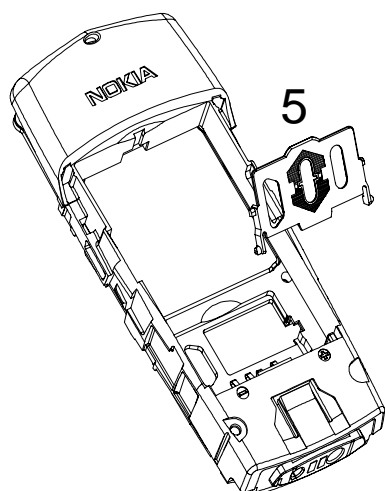
Remove SIM cover  
(only if it is necessary to replace SIM cover).

1. Slightly lift the front edge of the SIM cover to unlocked position
2. and slide it backwards.



3. Turn the SIM cover to upright position.

4. Squeeze the SIM cover slightly from the side to release the side fixings one at the time.



5. Pull SIM cover out of B cover.



## NSM-9DX No power and A-cover fit

If a "No power" problem is found, please check the A-cover fit. Below are pictures of good fit and bad fit. The engine needs to be fully fitted into the A-cover and the phone will power up. The covers are changeable. The A-cover power button does not match up with the engine power switch when the fit is not correct.

Figure 1: Good fit



Figure 2: Bad fit



[ This page intentionally left blank. ]